

High Voltage DC-to-DC Converter

TC6500

Manufactured by Mid-Continent Instrument Co., Inc.

The high voltage TC6500 converts 270 VDC to 28 VDC to power avionics and related systems.



The TC6500 DC-to-DC Converter is compact, lightweight and easy to install inside or outside of the pressure vessel. It has 96% peak efficiency and features an overload capacity up to 110% of rated power without damage.

High Voltage.

High Efficiency.

Low Weight.

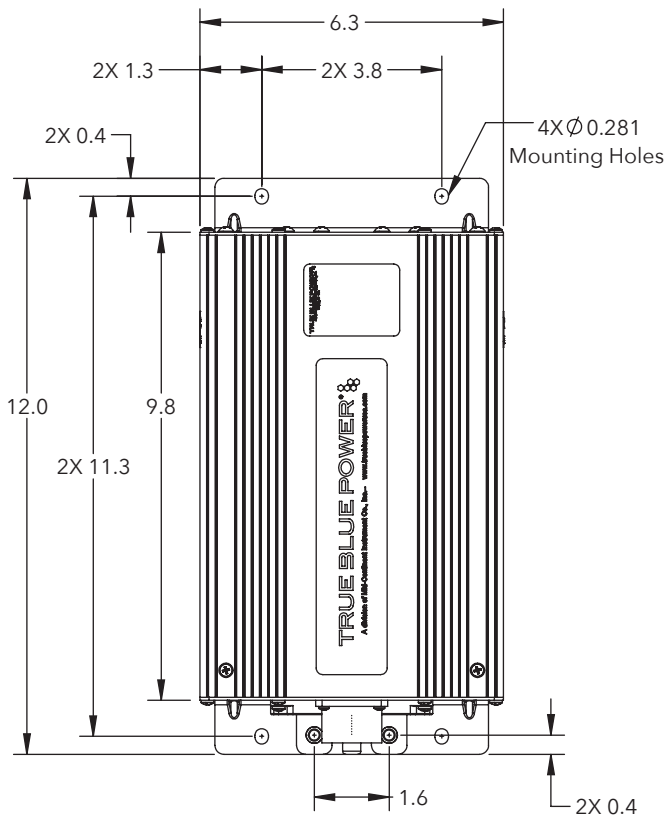
Product features

OUTPUT POWER	6,500 Watts
INPUT VOLTAGE	165 – 320 VDC
OUTPUT VOLTAGE	28.7 VDC \pm 0.4 VDC
EFFICIENCY	96%
WEIGHT	10.4 lbs (4.7 kg)
REMOTE CONTROL	Yes
COOLING	Three brushless, temperature-controlled and speed-controlled fans; Thermostatic On/Off control
OVERLOAD CAPACITY	Up to 110% of rated power without damage
PROTECTION	Input transient, temperature monitoring, short circuit and over current
DESIGNED AND MANUFACTURED	Wichita, Kansas, USA
WARRANTY	Two-year limited

High Voltage DC-to-DC Converter

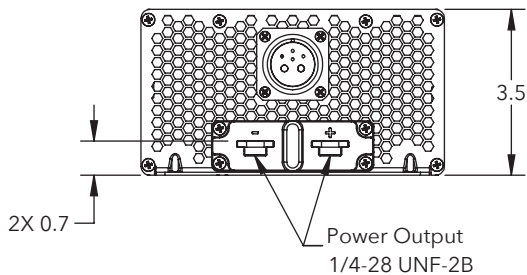
TC6500

Manufactured by Mid-Continent Instrument Co., Inc.



Technical specifications

INPUT VOLTAGE	165 – 320 VDC
INPUT CURRENT	26 A Nominal
OUTPUT VOLTAGE	28.7 VDC ± 0.4 VDC
OUTPUT POWER	6,500 watts
WEIGHT	10.4 lbs (4.7 kg)
DIMENSIONS	6.3"W x 12.0"L x 3.5"H
ALTITUDE	55,000 ft
TEMPERATURE	-67°F to +158°F (-55°C to +70°C)
MATING CONNECTOR	9019803-8, -9
CASE	Anodized aluminum extrusion, blue
CERTIFICATION	FAA TSO-C71 pending RTCA DO-160G pending



High Voltage 270 VDC to 28 VDC Converter